

M-Vision 930 WUXGA 3D



12,000 ANSI Lumens | Contrast Ratio: 5,000:1 (Dynamic Black) 2,000:1 native



Colour System:

6 Segment RGBYCW Colour Wheel

DMD Specification:

1920 x 1200 pixels native, +/- 12° tilt angle
Fast transit pixels for smooth greyscale and improved contrast.

Display Type:

1 x 0.96" DarkChip™ DMD™

Aspect Ratio:

16x10

Fill Factor

87%

Key Features

Video & Graphics Processing

- HDMI 1.4 for Side by Side, Frame Packing & Top Bottom Formats.
- Dual Flash Processing can be used to multiply the displayed frame rate for 3D sources (example 144Hz display).
- Dual Pipe Processing: Two sources in parallel for Left and Right Eyes.
- Synchronisation of active glasses, DLP® Link™ glasses or polarising switcher.
- High Bandwidth Digital & Analog Receiver with 10 Bit A-D.
- The projector automatically detects interlaced video and implements 3:2 or 2:2 extraction as appropriate, with pixel based, motion adaptive interpolation and auto cadence correction.
- 24p and 1080p native display.

Geometry Correction

- Cornerstone, Vertical & Horizontal Keystone, Pincushion & Barrel, and Image Rotation.
- Blanking control for custom input window sizing.

Edge Blending

- Correction for non-active pixels at the edge of the display.

HDBaseT® Interface

- Built in support for transmission of uncompressed High Definition Video over standard CAT5e/6 LAN cable.
- Allows projector to be placed up to 80m from source with low cost cabling.

Source Compatibility:

HDMI including Deep Color™ processing and 3D standards.
Dual Link DVI accepts graphics standards up to 1920 x 1200 at 120Hz.
Graphics standards up to 1920 x 1200 resolution at via DVI, HDMI or VGA.
Component Video (SD and HD) via YPrPb or RGB.

201404

Ein Vertriebsprodukt von / Distributed by:

VIDELCO Europe Limited – Professionelle Audio-, Video-, Medien-Technik

Fon: +49 (0)2102 / 86 39-00 • Fax: +49 (0)2102 / 86 39-17 • info@videlco.eu • www.videlco.eu



Inputs/Outputs

Video & Computer			Communication & Control		
Type	Connector	Qty	Type	Connector	Qty
HDMI 1.4	HDMI	2	3D Sync Out	BNC	1
DVI - Dual Link DVI-D	DVI	1	3D Sync In	BNC	1
HDBaseT	RJ45	1	LAN	RJ45	1
VGA	15-pin D-Sub	1	RS232	9-pin D Sub	1
Component Video	3 x BNC	1	IR Input	3.5mm Stereo Jack	1
Component Video	3 x RCA	1	12V Trigger	3.5mm Stereo Jack	2
			Service Port	USB Type A	1

3D Formats Supported	HDTV Formats Supported
Frame Packing Dual Pipe Frame Sequential Side By Side (half) Top and Bottom	1080p (23.98Hz, 24Hz, 25Hz, 29.97Hz, 30Hz, 50Hz, 59.94Hz, 60Hz), 1080i (50Hz, 59.94Hz, 60Hz), 720p (50Hz, 59.94Hz, 60Hz)

Computer Compatibility	Bandwidth
Up to 1920 x 1200	170 MHz on analog RGB 165 Megapixels per second on HDMI and DVI 297 Megapixels per second on Dual Link DVI

Remote Control	Automation Control
IR Remote Control On-Board keypad	LAN RS232

Colour Temperature
User selectable from 5400 to 9300K

Lamp Type	Typical Lamp Life
2 x 465W High Intensity Discharge	1500 hours

Lenses			
Lens	Part No.	Focus Range	Lens Shift
0.84 - 1.03 : 1 zoom	114-313	1.5m - 10m	Vert: 0.37 (U) 0.37 (D) frame, Hor: 0.12 (L) 0.12 (R) frame
1.56 - 1.86 : 1 zoom	114-314	2m - 12.4m	Vert: 0.5 (U) 0.5 (D) frame, Hor: 0.15 (L) 0.15 (R) frame
1.85 - 2.40 : 1 zoom	114-315	2.5m - 15.9m	Vert: 0.5 (U) 0.5 (D) frame, Hor: 0.15 (L) 0.15 (R) frame
2.40 - 4.00 : 1 zoom	114-316	4m - 26.6m	Vert: 0.5 (U) 0.5 (D) frame, Hor: 0.15 (L) 0.15 (R) frame

Lens Mount
Motorised shift, zoom and focus.

Mechanical Mounting	Orientation
Front/Rear Table Front/Rear Ceiling Adjustable Front/Rear Feet	Table Top or Inverted: Yes Pointing Up: Yes Pointing Down: Yes Roll (Portrait): +/-10° from horizontal

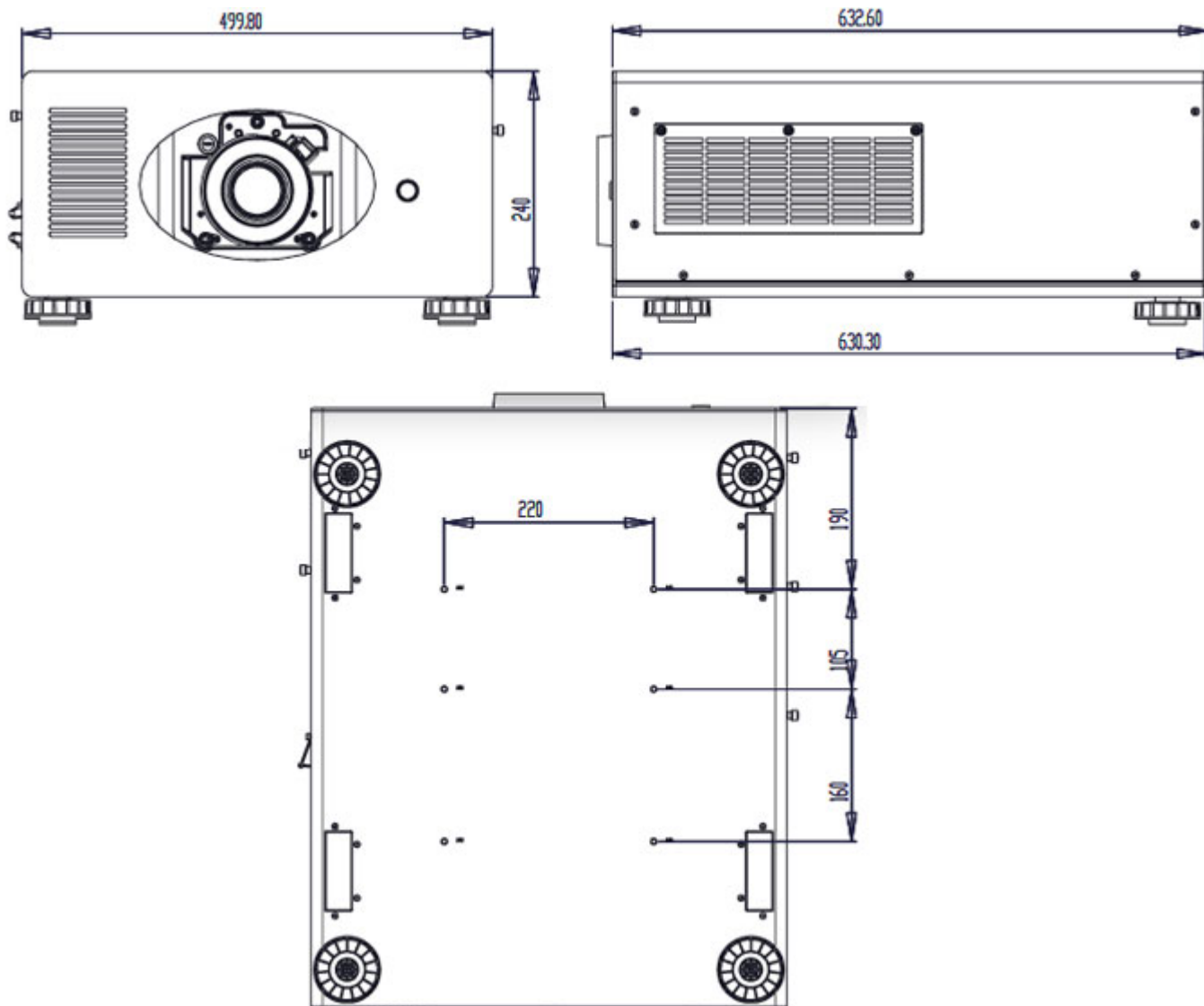
Power Requirements	Power Consumption
100 - 240VAC 50/60Hz single phase	1200W

Thermal Dissipation	Fan Noise
3771 BTU/Hour	48 dBA

Operating/Storage Temperature	Operating Humidity
Operating: 0 to 35C (32 to 95F) Storage: -20 to 60C (-4 to 140F)	20% to 90% non-condensing

Weight (Chassis Only)	Dimensions
28.6 kg 63.1 lb	L: 63.2 cm W:50 cm H:24 cm L: 24.9 in W:19.7 in H:9.4 in

Safety & EMC Regulations
CE, FCC Class A , UL, CCC



**Dimensions included for reference only and are subject to change. Please download the full set of CAD files for this display for more accurate information.*

Downloads

[PDF CAD Drawings](#)

[AUTOCAD Drawings](#)

[User Guides](#)

[Important Information](#)

Specifications subject to change without notice. Digital Projection version: - ©2012 Digital Projection.
DLP®, Digital Light Processing™ and DMD are trademarks of Texas Instruments, Inc